



# CENTRAL SERVICE & SUPPLY, INC

4219 E 50th St Des Moines, IA 50317

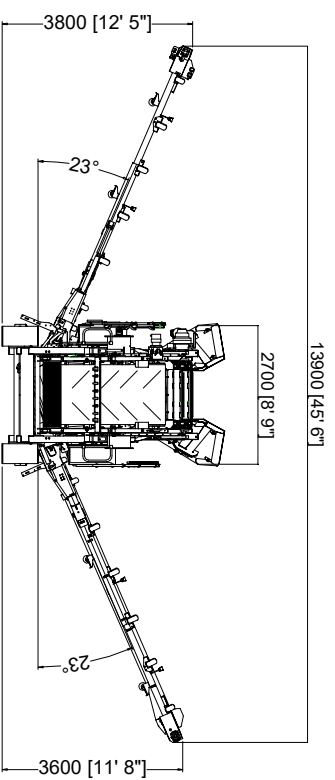
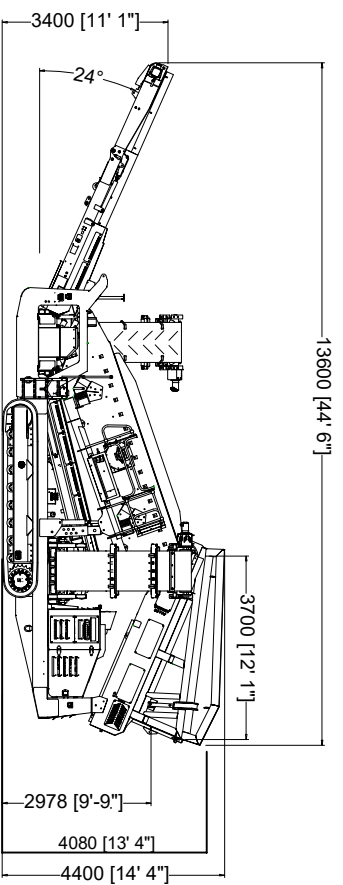
1.800.247.2400



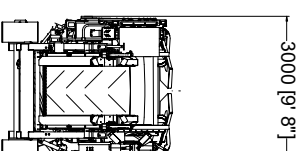
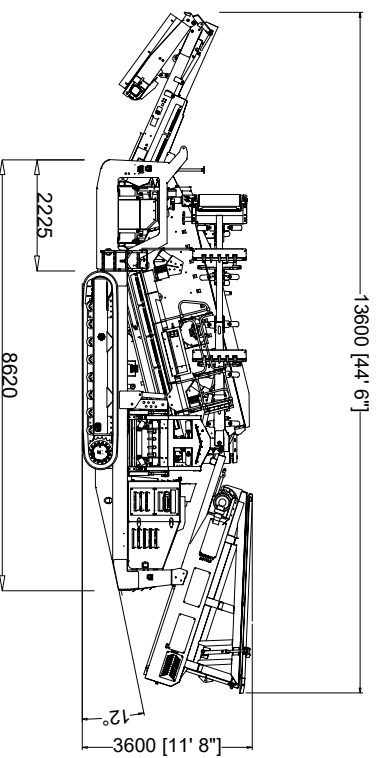
## **ANACONDA DF514 Track Screen**

- Oversized Hopper (8'9" W x 12'1" L) 48" Variable Speed Belt Feed
- Double Deck 5'x14' high G Force screen
  - Top Deck 5'x14' Side Tension
  - Bottom Deck 5'x13'11" End Tension
- 48" Oversize Discharge Belt with variable speed and max 11' adjustable height
- 32" Middle Discharge Belt with variable speed and max 11'8" adjustable height
- 32" Fines Discharge Belt with variable speed and max 12'5" adjustable height
- Tier 4 JCB444 EcoMAX power unit with 103 gallon diesel tank with up to 30 hours of operation between fills.
- 400mm (approx. 15-3/4") wide track
- Designed for easy setup, startup, and tear down
- Can operate as a scalping screen or pair with a crusher and operate as a finishing screen. CSS can make screens for both decks!
- AVAILABLE TO RENT OR BUY

**CALL: CRAIG HARMAN 515.681.0520 or MARK BOTHWELL 515.681.8140**



WORKING



TRANSPORT