



CENTRAL SERVICE & SUPPLY, INC.

4219 E 50TH
DES MOINES, IA 50317

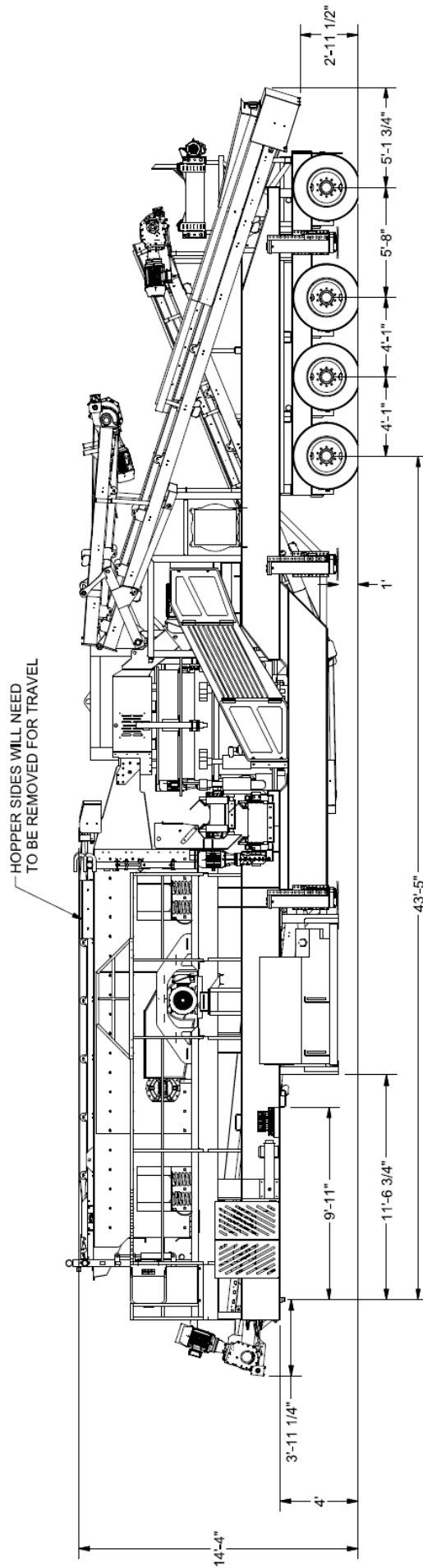
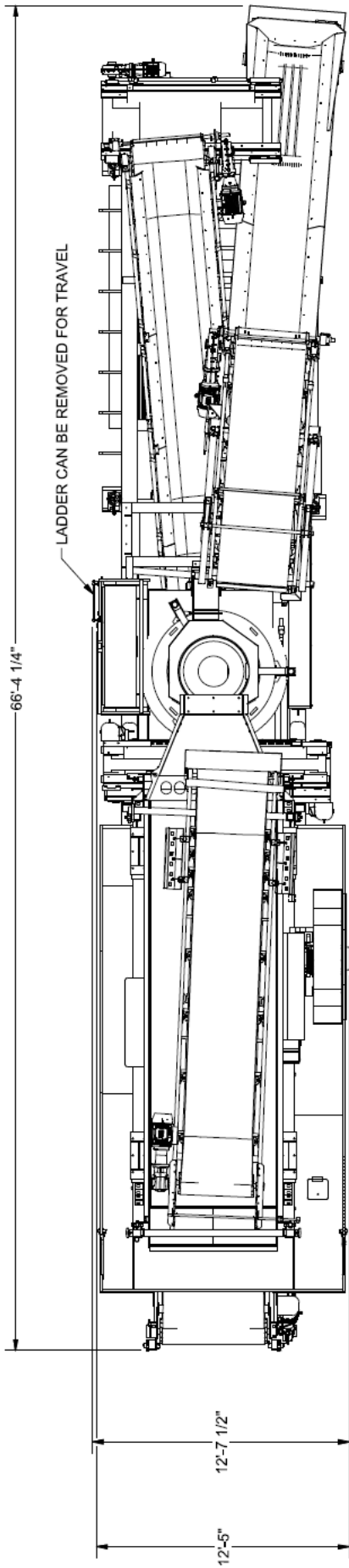
Phone: 515-964-8600
Toll Free: 800-247-2400
Fax: 515-309-0667



Masaba/Metso HP300 Closed Circuit Plant

- Masaba closed circuit plant with Metso HP300 cone & 6x20TD FS horizontal screen
- HP300 Metso cone w/ hydraulic/lubrication system including heaters, over flow chute and cold weather lubrication package with synthetic oil
- WEG 300 HP high torque crusher motor with 1.15 SF, 460V, 3 phase
- Metso 6x20TD FS three shaft screen, up to 3/4" throw, 765-900 rpm, with extended spout
- WEG 50 HP high torque screen motor mounted on pivoting base, 1.15 SF, 460V, 3 phase
- All idlers are PPI CEMA C
- 42" Under crusher return conveyor with 15 hp motor, Dodge reducer, Martin scrapper
- 42" Split feed conveyor with 20 and 15 hp motors, over screen hydraulically lowers for travel, feed conveyor hydraulically folds for crusher maintenance and shipping, Dodge MTA right angle reducers, AR lined feed hopper, impact bed, skirt boards on incline portion, hydraulic raise, vulcanized splices with Martin QC1 belt scappers
- 60" Under screen conveyor with 15 hp motor, Dodge MTA reducer, vulcanized splice, Martin scrapper
- 24" Lower and 18" Upper cross conveyors with 7.5 HP motors, Dodge MTA right angle reducers, vulcanized splices, belt scappers, slide beds and full length skirt boards to minimize leaks
- 36" Rear reversible cross conveyor allows open circuit operation, or easy plant clean-out, 5 hp
- Screen overs chute with 25% blending flop gates discharges to cross conveyors, access door for easy screen maintenance
- Top deck feeds crusher, middle feeds crusher or can be blended with bottom deck
- Full electrical package in NEMA 4 enclosure, Square-D NEMA components, crusher soft start, weather tight push button on/off, main disconnect, emergency stop, all wiring to motors, two extra #2 starters for 20 hp off plant conveyors
- W-Beam main frame with six Masaba Brute run-on jacks, 13hp Honda power unit in lockable enclosure, folding legs at kingpin, rear lights and side reflectors
- Solid mounted diamond plate walkways on three sides of screen, one side of crusher, self closing safety gates, with two ladders to the ground
- Large tool box for screen rails and crusher tools
- Four heavy duty axles with brakes and 11.00 x 22.5 radial tires
- Shipping dimensions are 66'- 5" long x 12'- 7" wide x 14'- 4" tall (on jeep)

For more information call Mark Bothwell at 515-681-8140, or Craig Harman at 515-681-0520



<u>ESTIMATED TOTAL WEIGHT</u>	<u>TOTAL WEIGHT</u>	<u>MEASURED HEIGHT (50" KING PIN)</u>
138,000 LBS	137,080 LBS	14' 6" - 14' 7"
<u>ESTIMATED AXLE GROUP WEIGHT</u>	<u>AXLE GROUP WEIGHT</u>	<u>MEASURED WIDTH (WITH LADDER ON)</u>
79,200 LBS	78,330 LBS	12' 6" - 12' 7"
<u>ESTIMATED KING PIN WEIGHT</u>	<u>KING PIN WEIGHT</u>	
58,800 LBS	58,570 LBS	

For more information call Mark Bothwell at 515-681-8140, or Craig Harman at 515-681-0520