



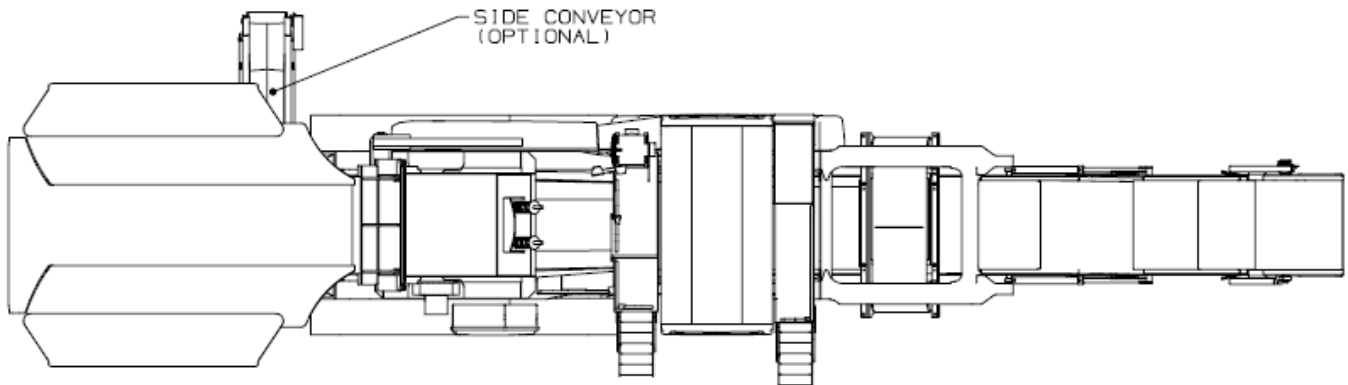
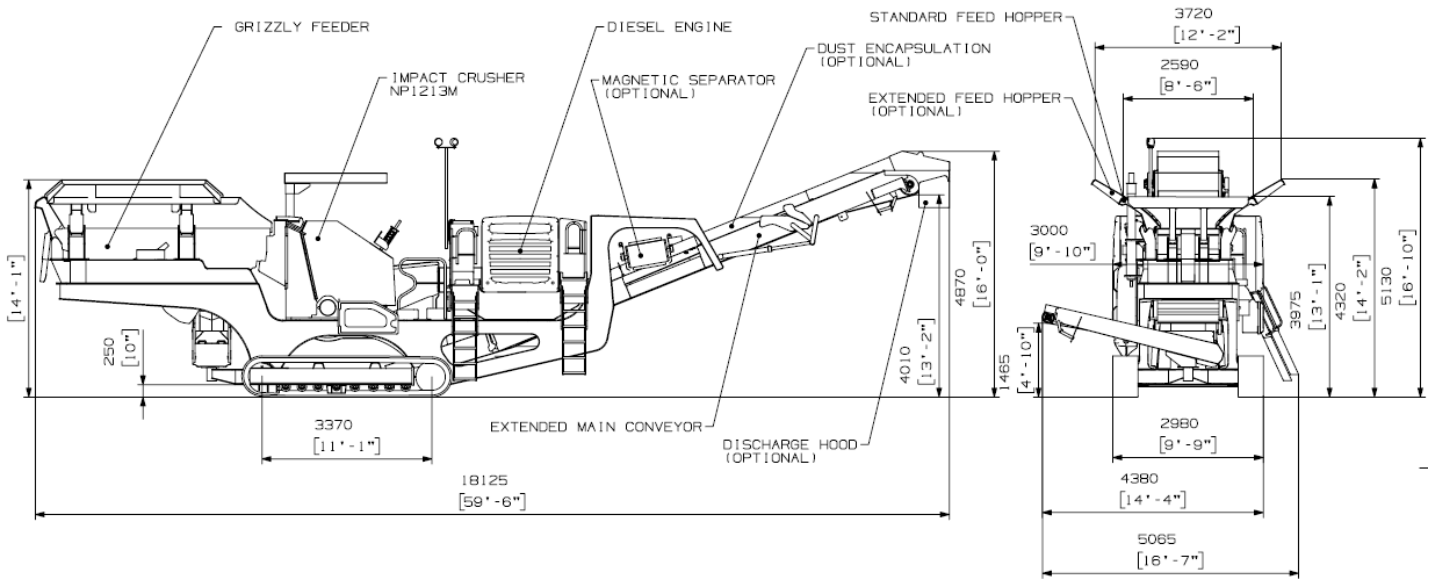
LT1213 Crushing Plant

- Metso LT1213 impact plant powered by CAT C13, 415 hp engine with 166 gal fuel tank
- Np1213 impact crusher with 47" dia x 51" wide four-bar rotor for high production
- Large 36"x51" feed opening
- 4' x 10' Under crusher Pan Feeder helps protect the conveyor belt
- Vibrating Grizzly Feeder with two grizzly sections with 1-1/2" spacing
- 12 cu. yd. Feed Hopper with hydraulic folding sides and end walls
- Grizzly bypass conveyor can discharge to either side of plant
- 48" x 36' Front Discharge Conveyor with 12'-2" discharge height, hydraulically folds for travel
- Eriez Magnet with self-cleaning belt mounted over main conveyor
- Simple single-button process start-stop, IC700 Control with Touchscreen for unit display and monitoring.
- Radio remote control allows easy plant track movement, engine rpm adjustment, start/stop feeder
- Heavy duty D4 sized tracked undercarriage, remote track controller on 25 ft tether included, halogen lights
- Hydraulic power take-off for connecting auxiliary equipment, provides up to 17 gpm at 3,626 psi.
- Water sprays at crusher cavity, under crusher, and conveyor discharge.
- Shipping dimensions are 55'-5" L x 9'-10" W x 11'-10" T. Unit weighs 101,000 lbs.



CENTRAL SERVICE & SUPPLY, INC.

4219 E 50TH
DES MOINES, IA 50317
800-247-2400





CENTRAL SERVICE & SUPPLY, INC.

4219 E 50TH Street
DES MOINES, IA 50317
800-247-2400

