



CENTRAL SERVICE & SUPPLY, INC

4219 E 50th St Des Moines, IA 50317

1.800.247.2400



THOR LoPro 36" x 150'

- 2022 THOR 36" x 150' Telescoping Stacking Conveyor w/ auxiliary transport axle
- THOR Hydraulic Folding Hammer Radial Travel Axles complete with dual drive.
- Allen Bradley PLC touch screen automation system with Max Pile
- 100' of Type W Power cable (wired to control panel, other end open)
- Patented LES (Load Equalizing System) distributes stresses created by stinger and material load when fully extended.
- CEMA C idlers and FLEXCO Belt Scrapers
- Portable Anchor Pad, crank down landing jacks

GENERAL SPECIFICATIONS

Material Handled	Aggregate	Material Weight	100 lb/ft ³
Lump Size	3" max	Belt Width	36"
Capacity	800 TPH	Max. Height	45' - 8"
Incline	18.0°	Hydraulic Motor	7.5 HP
Hydraulic Pump	3 gal/min @ 3000 psi	Loading Hopper	4' - 11" x 7'
Radial Drive	1.5 or 3.0 HP 15,600 in in-lb torque	Winch	3 or 5 HP

NOTE: All diagrams are to be used as a general guideline and exact dimensions may vary slightly



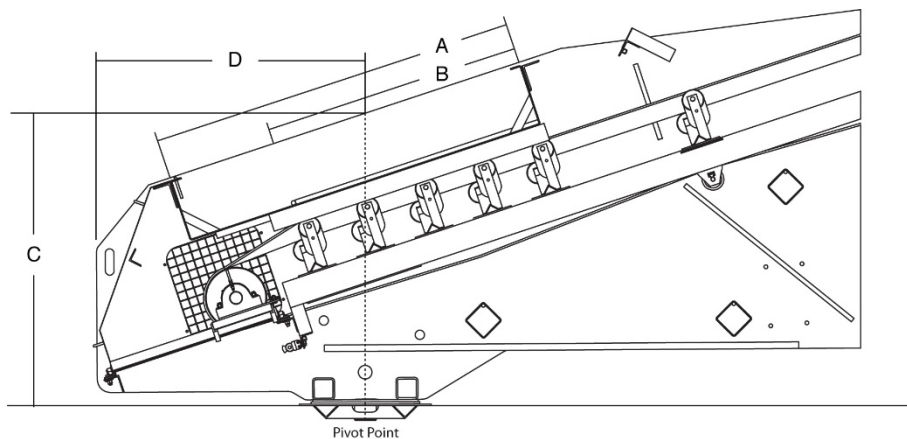
CENTRAL SERVICE & SUPPLY, INC

4219 E 50th St Des Moines, IA 50317

1.800.247.2400

MAIN (OUTER) CONVEYOR			
Motor	50 HP WEG	Reducer	TA5215H15 DODGE
Shafting (Head)	Ø3-7/16"	Truss Depth	4' 9"
Belting	36" Wide 330PIW 3 Ply	Belt Speed	490 FPM
	Top cover: 3/16" Bottom cover: 1/16"		
Head Pulley	Ø16" x 38", 1/2" Dia. Lag.	Tail Pulley	Ø14" x 38"
Main Chord	6" x 4"	Bracing	2" x 2"
TELESCOPIC (INNER) CONVEYOR			
Motor:	(2) 10 HP WEG	Reducer:	(2) TA2115H15
Shafting (Head):	Ø2-15/16" x 68" long		
Belting:	36" Wide 330PIW 3 Ply	Belt Speed:	519 FPM
Head Pulley:	Ø16" x 38", 1/2" Dia. Lag.	Tail Pulley	Ø14" x 38"
Main Chord:	4" x 2"	Bracing:	1" x 1" and 1" x 2"

Approximate Target Area Position



Model	A (Stone Box)	B (Chute Opening)	C	D
LPT150	7' - 0"	5' - 0"	5' - 7"	5' - 1"

NOTE: All diagrams are to be used as a general guideline and exact dimensions may vary slightly

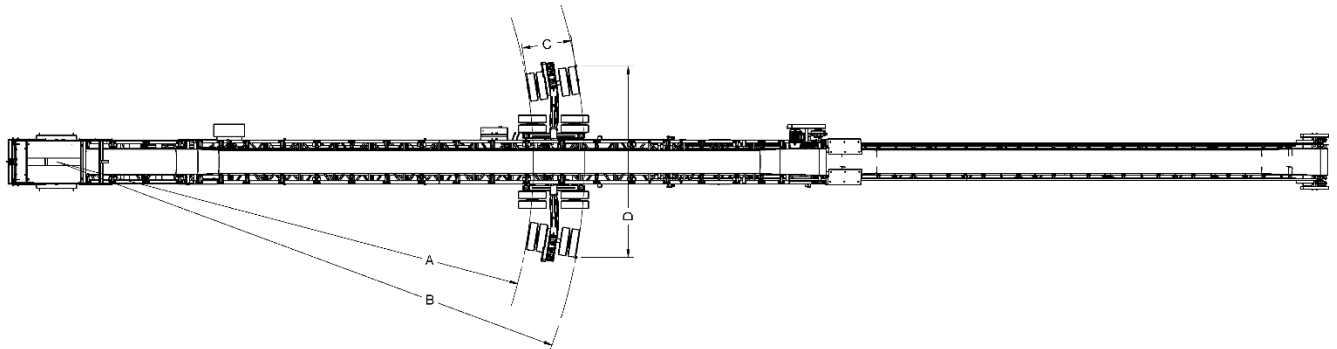


CENTRAL SERVICE & SUPPLY, INC

4219 E 50th St Des Moines, IA 50317

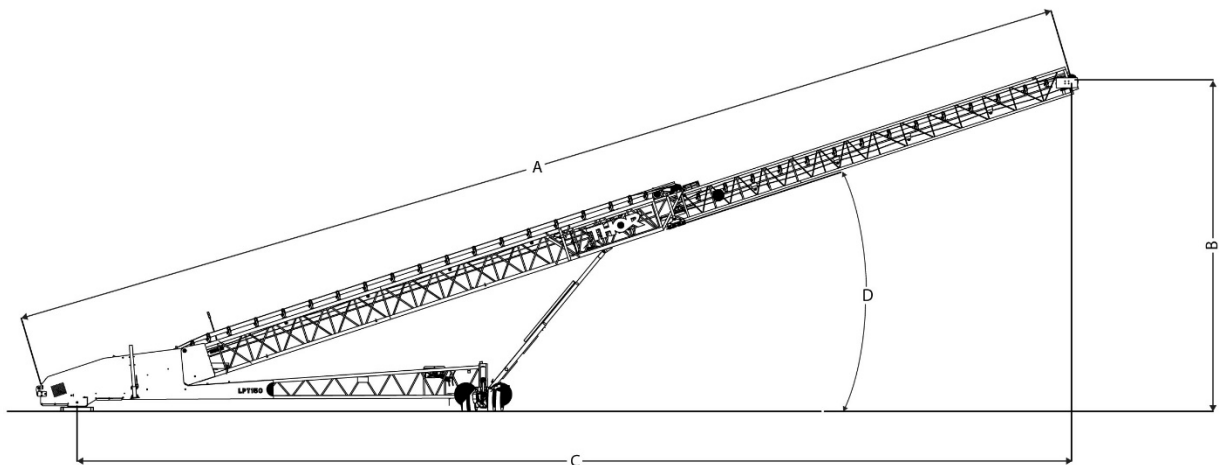
1.800.247.2400

Radial Dimension



Model	A	B	C	D
LPT150	54' - 6"	60' - 1"	5' - 7¼"	22' - ¾"

Conveyor Dimensions



Model	A	B	C	D
LPT150	150' - 0"	46' - 2"	138' - 8"	18°

NOTE: All diagrams are to be used as a general guideline and exact dimensions may vary slightly

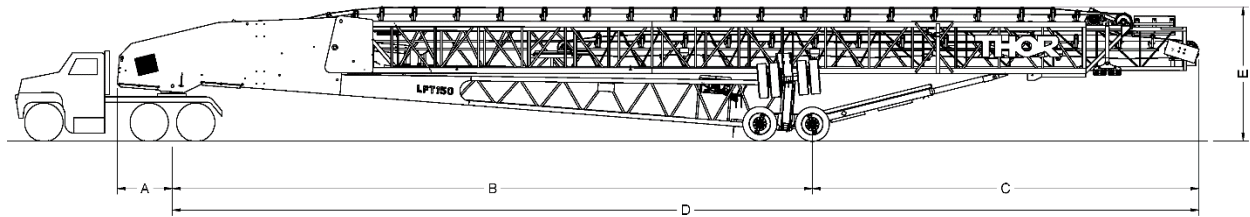


CENTRAL SERVICE & SUPPLY, INC

4219 E 50th St Des Moines, IA 50317

1.800.247.2400

Transportation Dimensions



Model	A	B	C	D	E	Transport Width
LPT150	5' - 1"	59' - 0"	35' - 9"	94' - 9"	12' - 11"	12'

NOTE: All diagrams are to be used as a general guideline and exact dimensions may vary slightly